

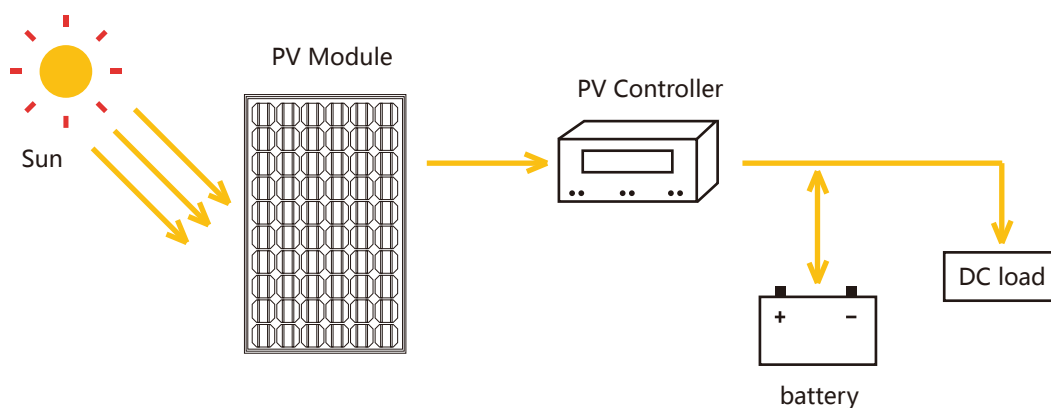
# [SOLAR-VALUE] PV-Water Pump System



## System Description

The system is mainly composed of solar module, PV controller and battery. The electricity generated is stored by the battery pack for dc duty. The controller is used to control the over-charge and over-discharge of the battery, so as to extend the service life of the battery. The system has intelligent display function which can display battery capacity, components working status and other parameters.

## System Schematic



## SYSTEM CONFIGURATION LIST

12V 120W working time 8h  
System model:ET-WP12

Article No. 430101

Name	Specification	Unit	Number
PV Module	ET-M632150 ( 2pcs in parallel )	Piece	2
battery	12V/100Ah	One	1
PV Controller	JN-MPPT-C series 30A ( 12V )	One	1
Support System	Provided matching the system	Set	1
Water Lamp Adaptation Parameter	12V 120W	Set	1

24V 120W working time 8h  
System model:ET-WP24

Article No. 430102

Name	Specification	Unit	Number
PV Module	ET-M660300	Piece	1
battery	24V/50Ah	One	1
PV Controller	JN-MPPT-C series 20A ( 24V )	One	1
Support System	Provided matching the system	Set	1
Water Lamp Adaptation Parameter	24V 120W	Set	1

48V 350W working time 8h  
System model:ET-WP48

Article No. 430103

Name	Specification	Unit	Number
PV Module	ET-M648220 ( connect two in series before parallel )	Piece	4
battery	48V/70Ah	One	1
PV Controller	JN-MPPT-C series 20A ( 48V )	One	1
Support System	Provided matching the system	Set	1
Water Lamp Adaptation Parameter	48V 350W	Set	1

## Working Principle

